	A_70.2 Order Questionnaire for Mora	Page 1 / 4
Sales	Published on: 10.12.2024	Version: 1.0

Order Questionnaire for Mora Ellipse (DPI)

Customer Company Information:

Company Name: _____

Contact Person: _____

Phone Number: _____

Email Address: _____

Date: _____



1. Product Description


The capsule-based DPI Device Mora Ellipse is an inhalation device that uses HPMC size 3 capsules.

The device is compact, ergonomically designed and very patient-friendly. The design of the device as well as the means of device activation via the ellipse (activation cam) is patented by Mematec.

By rotating the activation cam by 180°, the two metal needles are moved towards the capsule, perforating it. The following step is the inhalation through the device, which immediately releases the active ingredient. Due to its easy handling the operating errors are substantially reduced. The device is bioequivalent to many inhalers with a "low resistant" airpath.

The Mora device offers the following unique selling propositions to the customer:

1. Easy capsule loading - very patient friendly and easy to use
2. Smart look and compact design
3. Highly customizable with client colours and logo
4. It requires no springs to activate the drugs - improves on handling ease and cost efficiency
5. Its simple design requires a low number of parts, thus it guarantees the highest level of quality

	A_70.2 Order Questionnaire for Mora	Page 2 / 4
Sales	Published on: 10.12.2024	Version: 1.0

6. The design of the device is specially designed to offer a clean and simple end-customer experience, limiting the rate of customer misuse - practically almost impossible to misuse it

7. The unique shape of the piercing needles ensures the best aerodynamic performance of the particles (APSD).

1.1. Required Product Information from Customer

Please select or describe the required items:

Device Type:

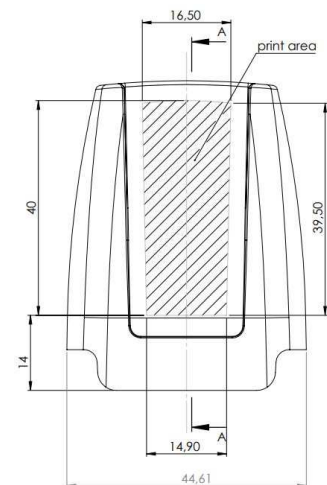
- DPI Mora low resistant (123l/min at 4kPa)
- DPI Mora high resistant (40l/min at 4kPa)

1.2. Execution and Cover

- Colour (e.g., cover colour): _____
- Printing, labelling or/ engraving: _____


1.3. Powder

- Required powder types: _____
- Target weight: _____ mg
- Strength: _____ µg
- Premix: yes no
- Tec-transfer: yes no
- Filled in Capsule size 3:
 yes no
- 60 Filled Capsule in one Bottle:
 yes no



1.4. Documentation required

- Layout drawing of the Device
- material certificates for the DPI plastic parts
- single parts specification
- COC (Certificate of Conformity)
- COA (Certificate of Analysis) report for the quality

	A_70.2 Order Questionnaire for Mora	Page 3 / 4
Sales	Published on: 10.12.2024	Version: 1.0

2. Order Quantities and Logistics

2.1. Quantity Details

Information for Customer: Minimum order quantity (MOQ): 25,000 units

- Planned order quantity per batch: _____
- Total annual demand: _____
- Average monthly demand: _____

2.2. Delivery Terms

- Preferred delivery intervals (e.g., monthly, quarterly) - Forecast:

2.3 Incoterms preferred


- EXW (Ex Work)
- CPT (Carriage paid to)
- CFR (Cost and Freight)
- CIF (Cost, Insurance and Freight)
- DAP (Delivered at Place)
- FOB (Free on Board)
- FCA Free Carrier
- Bank Charges only for LC or CAD

3. Specifications

3.3. Packaging

Mora will be delivered according to SOP_5.00-01 General Packaging and Transport V6.0

Special requirements for packaging besides SOP_5.00-01:

 Sales	A_70.2 Order Questionnaire for Mora Published on: 10.12.2024	Page 4 / 4 Version: 1.0
--------------------------------------------------------------------------------------------	------------------------------------------------------------------------	----------------------------------------

4. Additional Information/ Remarks

Please share any further requirements or notes:

Returning the Questionnaire

Please send the completed questionnaire to:

- o Email: info@mematecsolutions.com
- o Phone: +49 123 4567 890
- o Address: August-Müller-Straße 24, 71691 Freiberg am Neckar, Germany

Thank you for your inquiry! We will respond with a quotation as soon as possible.